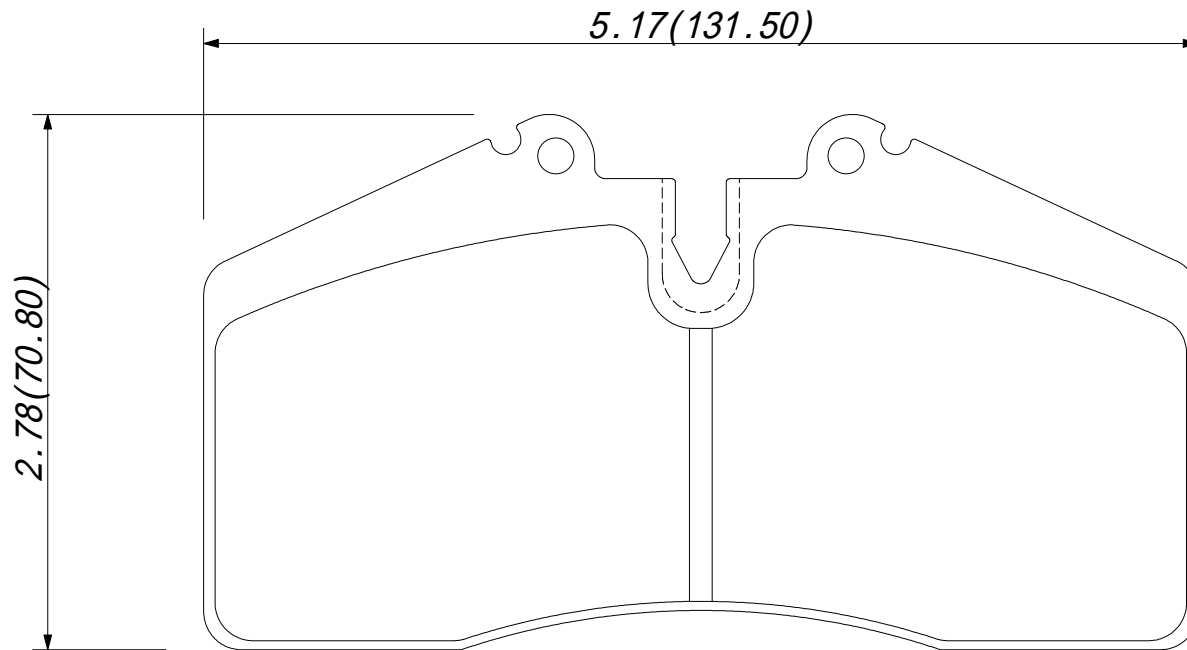


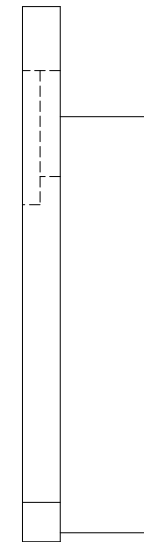
Z152

Project  $\mu$

FMSI	D372
FMSI	D447
FMSI	D609



.696(17.70)



PORSCHE / STOPTECH